

GROVE

ACHSANBAU 6 X 4 (TELMA)
 AXLE ATTACHMENT 6 X 4 (TELMA)

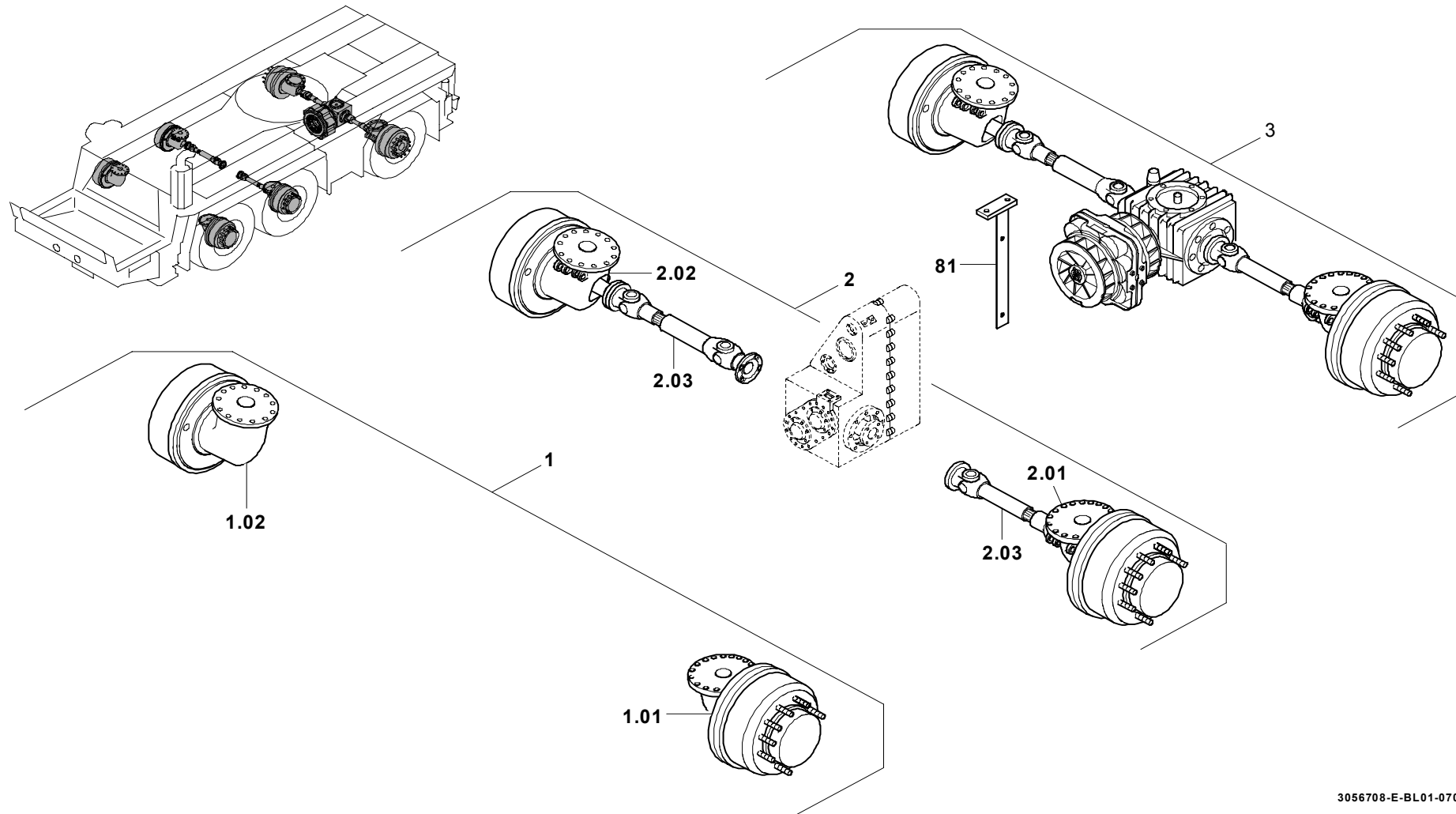
BILDТАFЕL
 PICTORIAL DISPLAY

GMK 3050
BE 511
G 061

07.04

3056708-ETL E

1/6



GROVE

ACHSANBAU 6 X 4 (TELMA)
 AXLE ATTACHMENT 6 X 4 (TELMA)

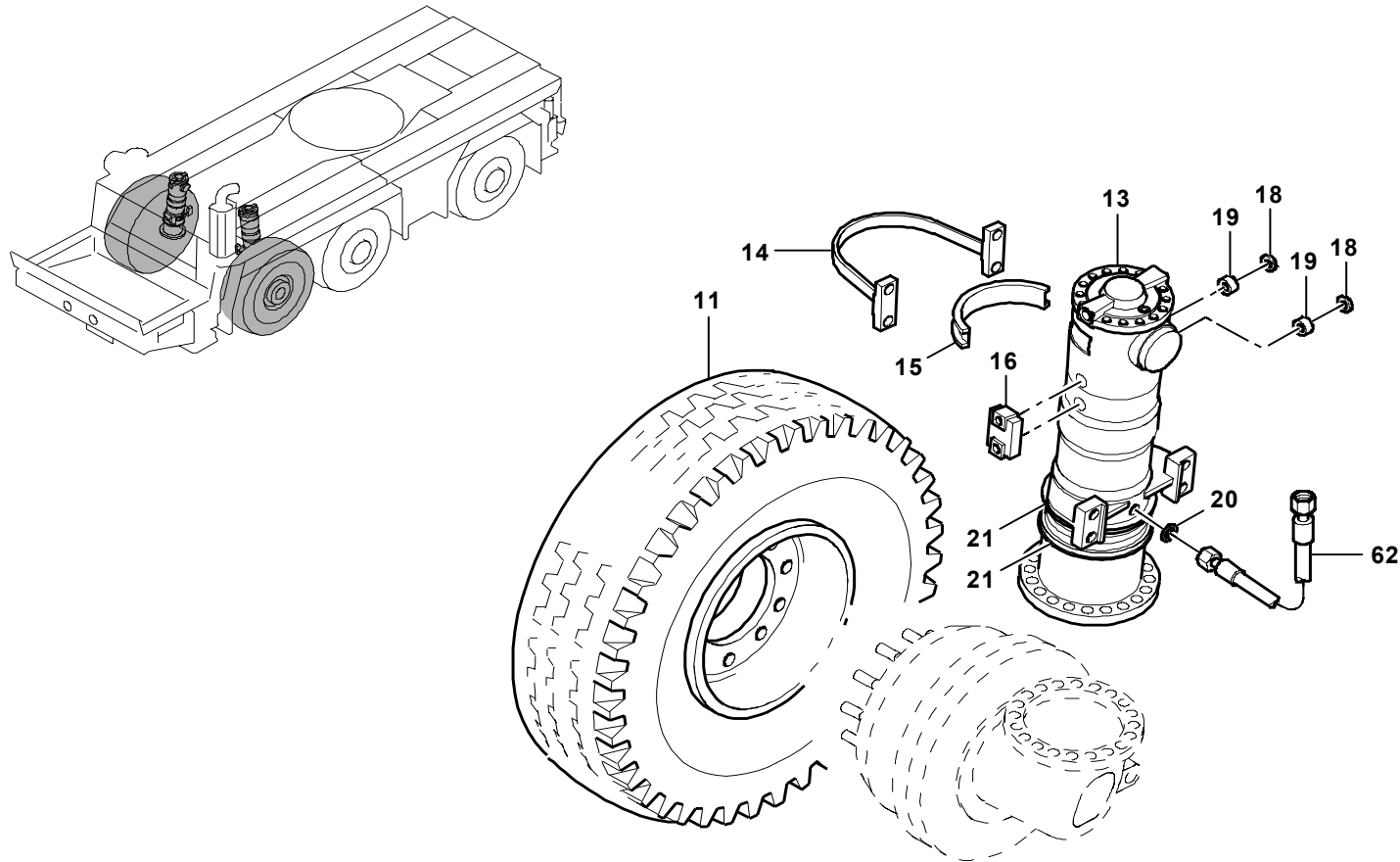
BILDТАFЕL
 PICTORIAL DISPLAY

GMK 3050
BE 511
G 061

07.04

3056708-ETL E

2/6



GROVE

ACHSANBAU 6 X 4 (TELMA)
 AXLE ATTACHMENT 6 X 4 (TELMA)

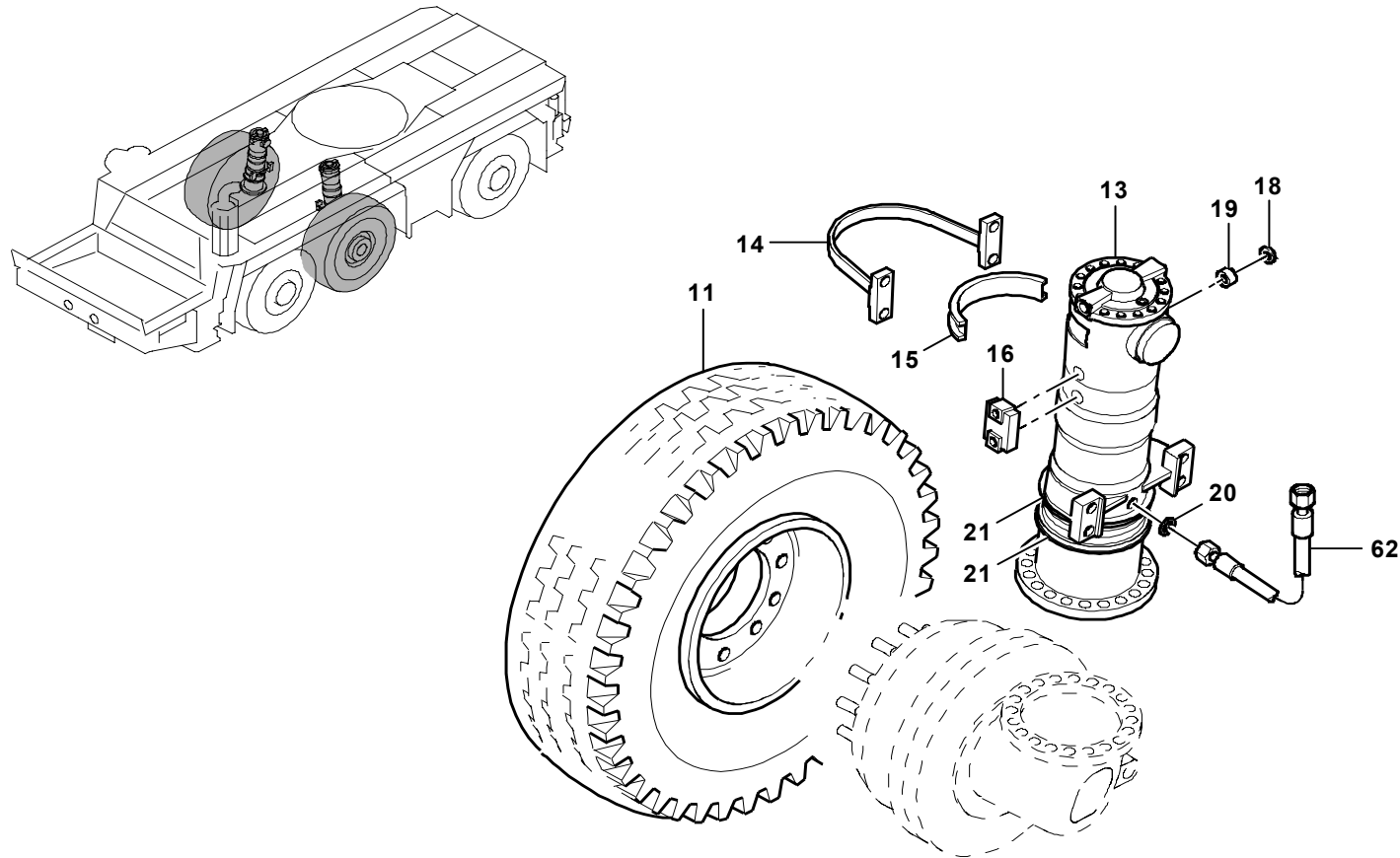
BILDТАFЕL
 PICTORIAL DISPLAY

GMK 3050
BE 511
G 061

07.04

3056708-ETL E

3/6



GROVE

ACHSANBAU 6 X 4 (TELMA)
 AXLE ATTACHMENT 6 X 4 (TELMA)

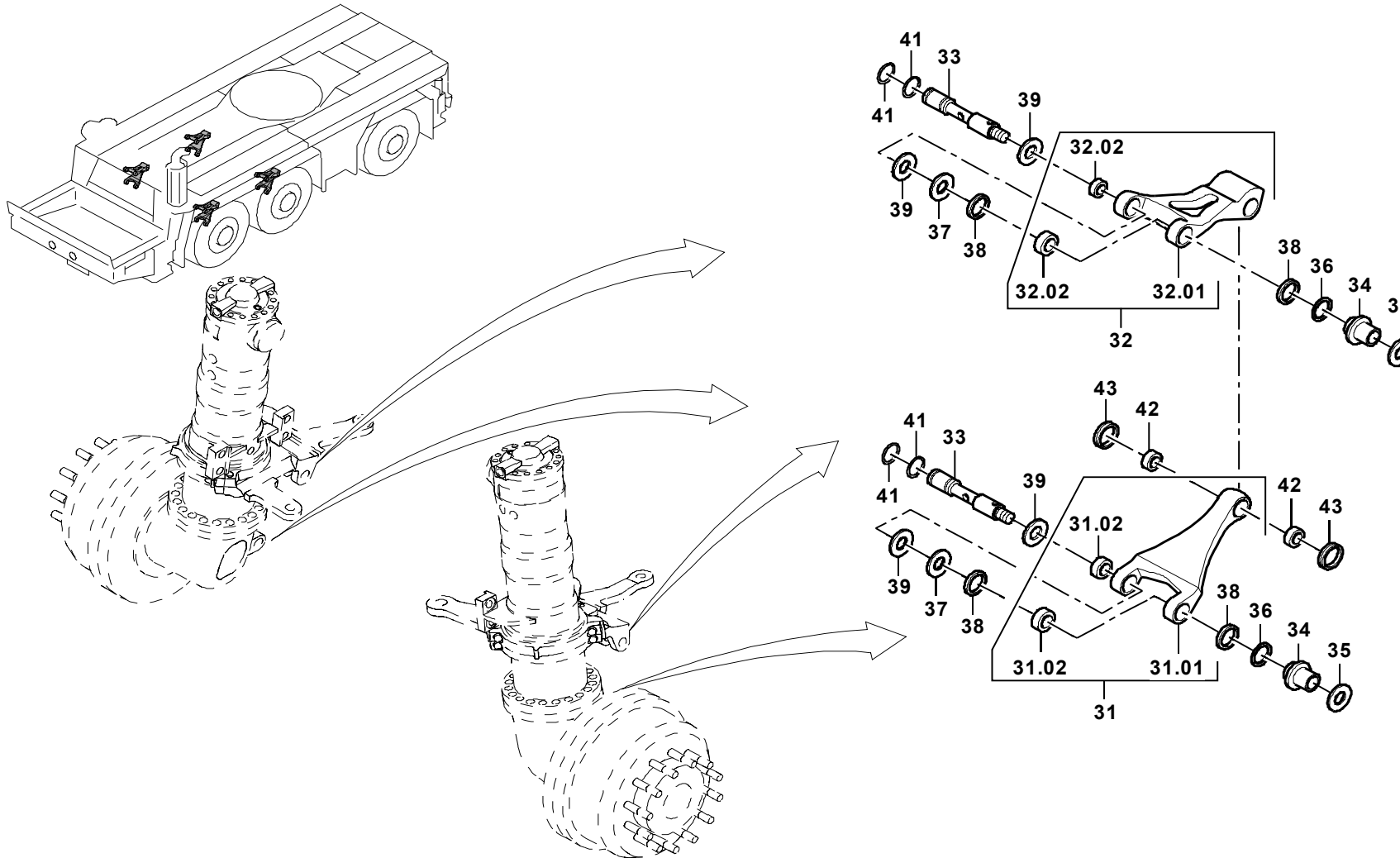
BILDTAFEL
 PICTORIAL DISPLAY

GMK 3050
BE 511
G 061

07.04

3056708-ETL E

4/6



GROVE

ACHSANBAU 6 X 4 (TELMA)
 AXLE ATTACHMENT 6 X 4 (TELMA)

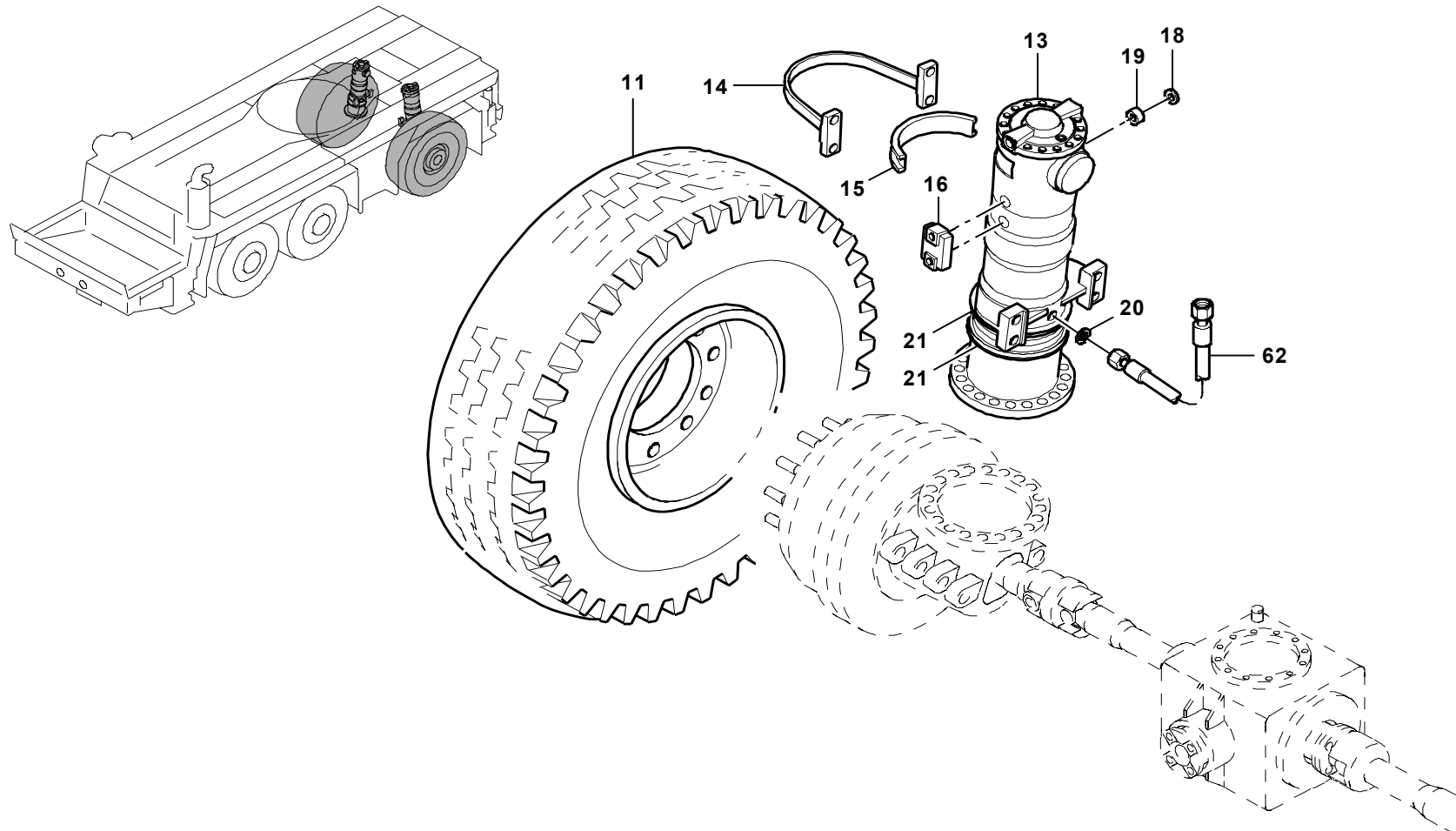
BILDТАFЕL
 PICTORIAL DISPLAY

GMK 3050
BE 511
G 061

07.04

3056708-ETL E

5/6



GROVE

ACHSANBAU 6 X 4 (TELMA)
 AXLE ATTACHMENT 6 X 4 (TELMA)

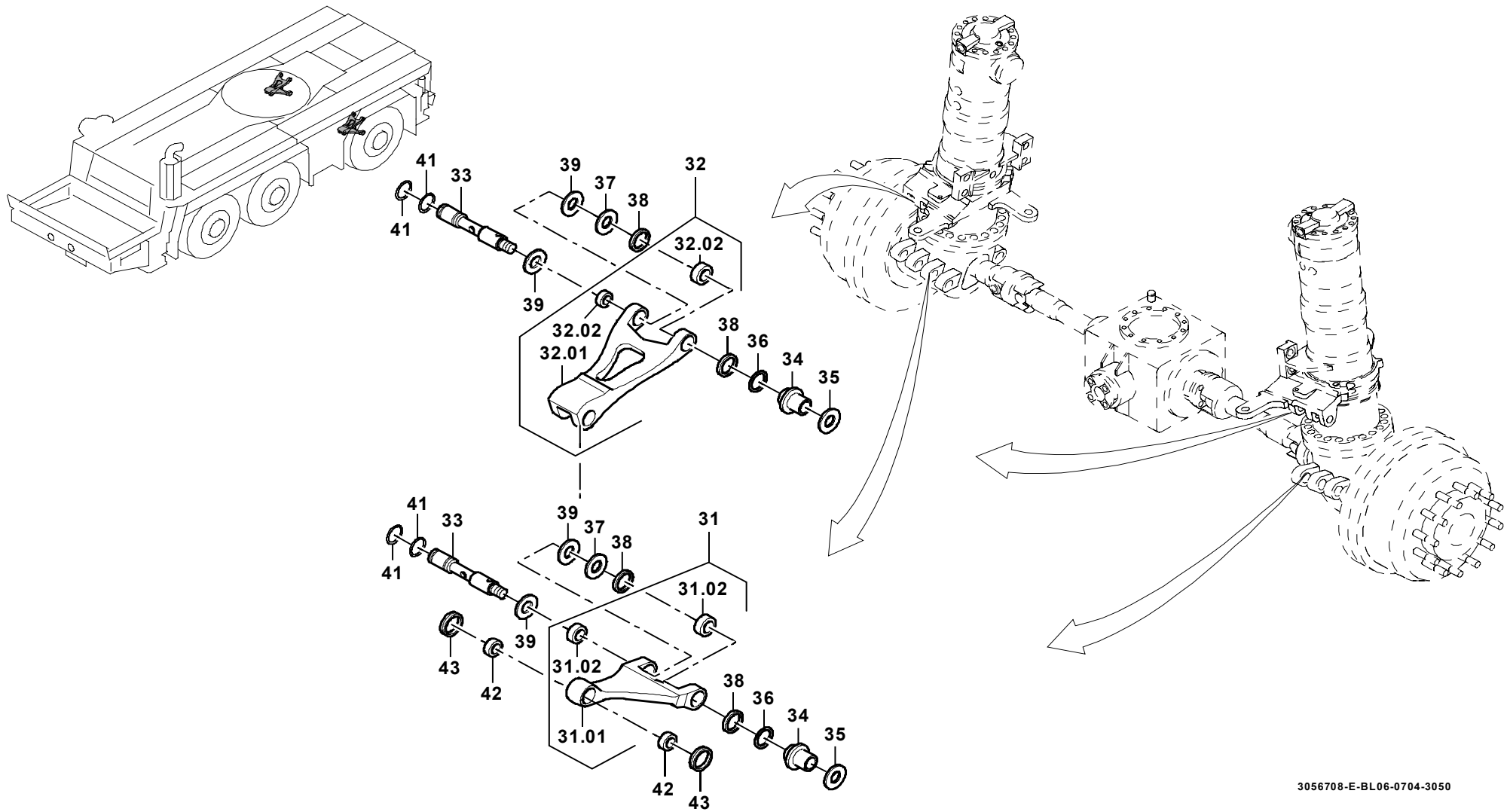
BILDTADEL
 PICTORIAL DISPLAY

07.04

3056708-ETL E

6/6

GMK 3050
BE 511
G 061



3056708-E-BL06-0704-3050